

## Specification sheet LX 884

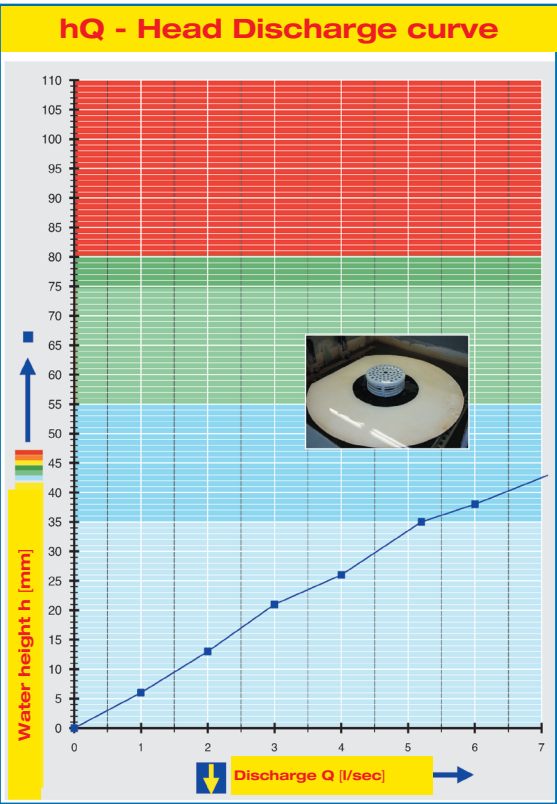
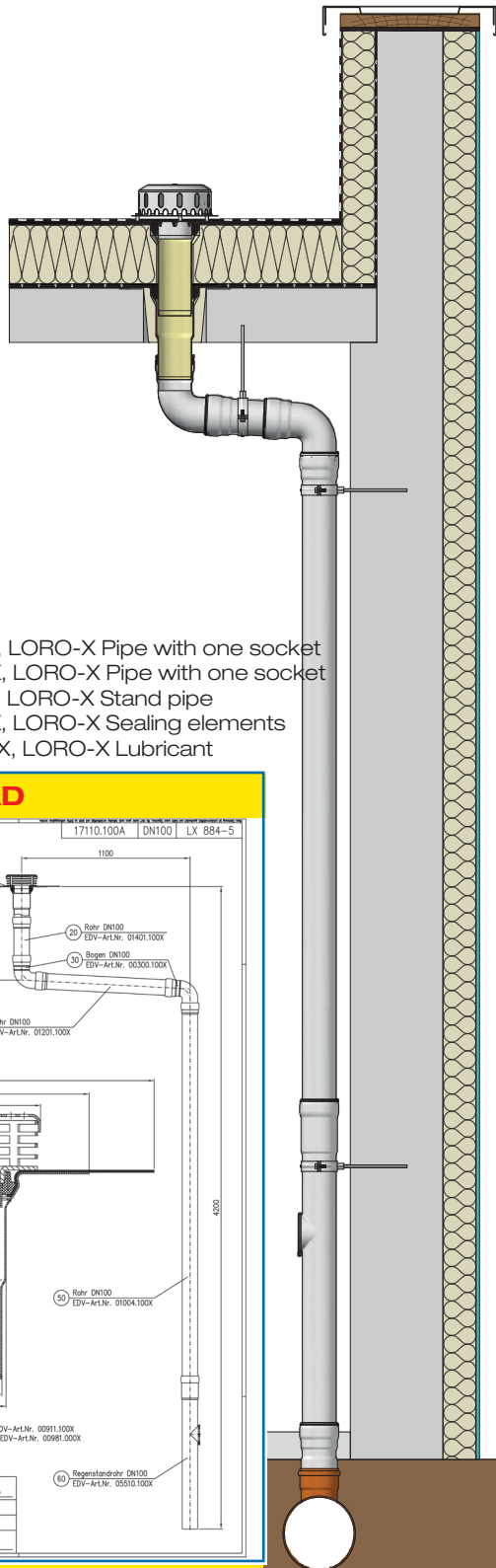
### Roof drainage systems made of aluminium, Series O

<b>Main drainage</b>	
<b>Gravity flow</b>	
<b>Silent Power</b>	
<b>Discharge rate:</b>	<b>5,2 l/sec</b>
<b>Water height:</b>	<b>35 mm</b>
<b>Roof penetration:</b>	<b>-</b>
<b>Diameter:</b>	<b>DN 100</b>
<b>LX-Number:</b>	<b>LX 884</b>
<b>Weir height:</b>	<b>0 mm</b>
<b>Drain:</b>	<b>ventilated</b>
<b>Downpipe:</b>	<b>not ventilated</b>
<b>Downpipe height:</b>	<b>4,2 m</b>
<b>Drainage:</b>	<b>in sewer</b>

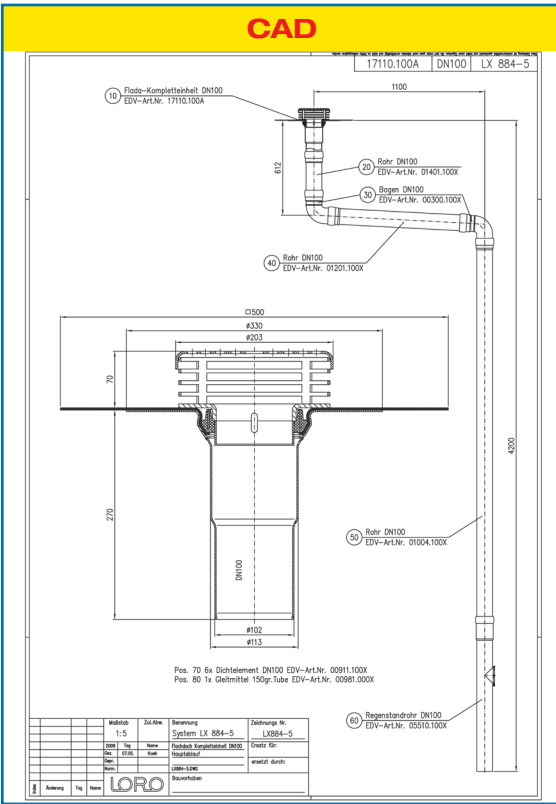
**LX 884 Piece list**

- 1 x Art.-No. choose drain on page two!
- 1 x Art.-No. 01401.100X, LORO-X Pipe with one socket
- 2 x Art.-No. 00300.100X, LORO-X Bend
- 1 x Art.-No. 01201.100X, LORO-X Pipe with one socket

- 1 x Art.-No. 01201.100X, LORO-X Pipe with one socket
- 1 x Art.-No. 01004.100X, LORO-X Pipe with one socket
- 1 x Art.-No. 05510.100X, LORO-X Stand pipe
- 6 x Art.-No. 00911.100X, LORO-X Sealing elements
- 1 x Art.-No. 00986.000X, LORO-X Lubricant



**Systempower**



**Systemshape**

<b>Water height</b>	mm	5	10	15	20	25	30	35	40	45	50	55	60	65	70	75
<b>Discharge</b>	l/sec		1,5	2,3	2,9	3,7	4,5	5,2	6,4	7,5	8,6	9,8	11	12,3	13,4	14,8
<b>Silent Power</b>																

Choose drain for piece list on page one!

DN 100

**without thermal insulation**

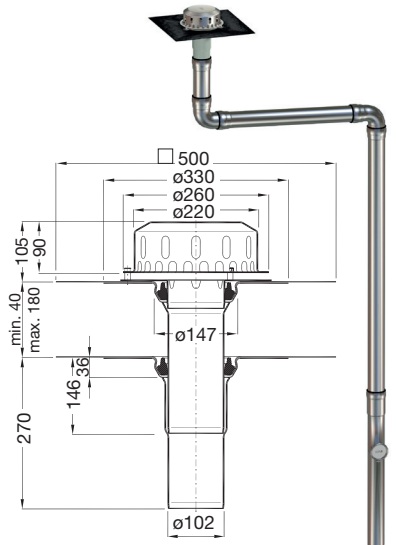
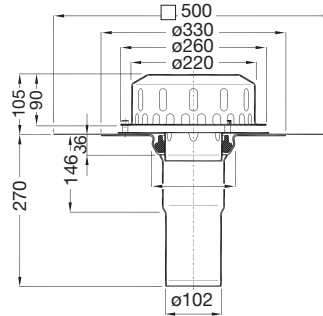
**LX884-5X**

Drain Art.-No. 17110.100A  
Series O  
**one-piece connection sleeve**



**LX884-6X**

Drain Art.-No. 17120.100A  
Series O  
**two-piece connection sleeve**



**with thermal insulation**

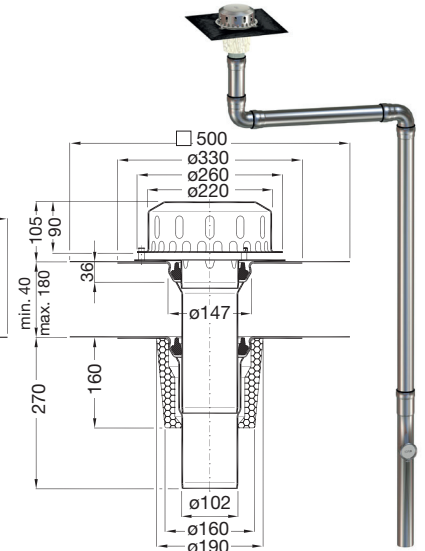
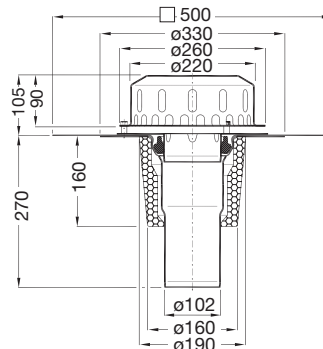
**LX884-7X**

Drain Art.-No. 17141.100A  
Series O  
**one-piece connection sleeve**



**LX884-8X**

Drain Art.-No. 17142.100A  
Series O  
**two-piece connection sleeve**



**with thermal insulation and heating**

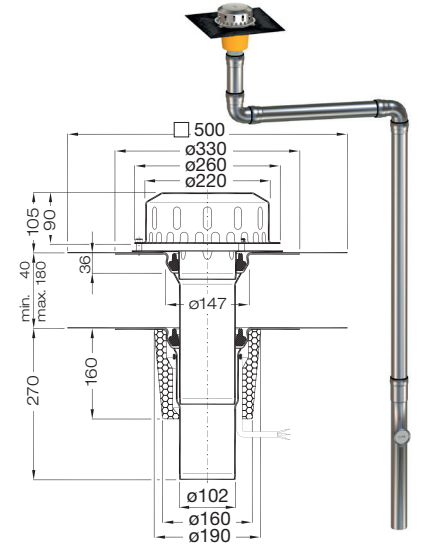
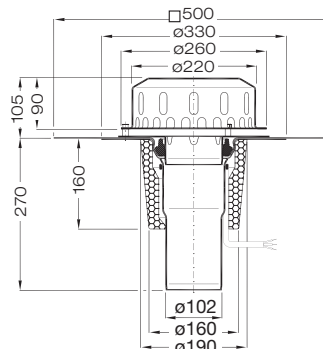
**LX884-9X**

Drain Art.-No. 17143.100A  
Series O  
**one-piece connection sleeve**



**LX884-10X**

Drain Art.-No. 17144.100A  
Series O  
**two-piece connection sleeve**



**Heat tracing:** Lorowerk recommends to check all drains and pipes with regard to their frost-sensibility. Where necessary, these parts should be upgraded with heat tracing.